



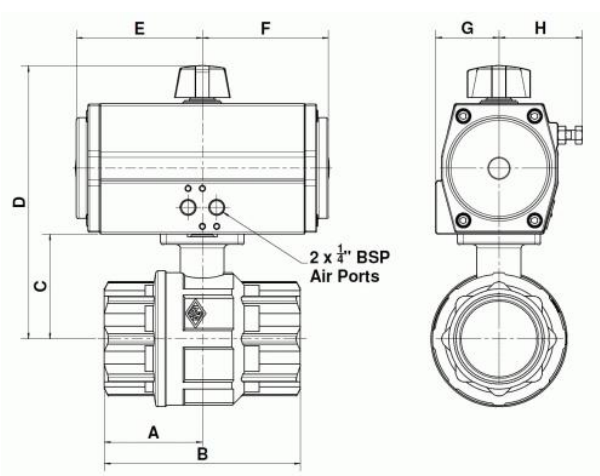
# Pneumatic Brass Ball Valve

- Available with either a double acting or spring return actuator
- Spring return set for fail close, fail open available on request
- BSPP end Connections BS21 / ISO 7/1
- PTFE seats
- Viton o ring
- Standard builds sized on 80psi (5.5barg)
- Solenoids available in 24v ACDC, 110V AC, 230v AC IP65.
- Switchboxes available in 2xV3, IP67 and EXD options.
- we can also offer a range of options to suit your industrial needs from various voltages, IP and ATEX ratings to specific environmental applications.
- Please contact us for further information and suitability.

## Materials

Part	Material
Actuator body	Aluminium
Ball	Brass Chrome Plated
Ball seat	PTFE
Bearing bush	Polyacetal
End connection	Brass Nickel Plated
External circlip	Spring steel
Key for Rack	Polyacetal
O-Ring	NBR
Piston with rack	Aluminium
Slide ring	Polyacetal
Spring	Spring steel grade 3
Stem	Brass Nickel Plated
Stroke adjust screw	stainless steel 304
Thrust washer	PTFE
Valve body	Brass Nickel Plated

## Dimensions & Weights



Valve Size (inch)	1/4	3/8	1/2	3/4	1	1 1/4	1 1/2	2	2 1/2	3	4
Valve Size (mm)	8	10	15	20	25	32	40	50	65	80	100
Bore (mm)	FULL	FULL	FULL	FULL	FULL	FULL	FULL	FULL	FULL	FULL	FULL
PN (Bar)	40	40	40	40	40	40	40	40	25	16	16
A (mm)	67	67	67	76	90	102	114	138	165	188	225
B (mm)	32.5	32.5	32.5	34.5	45.5	59	64	73.25	88.5	98	116.5
C (mm)	148	148	148	150	156	165	195	204	234	244	291
D (mm)	144	144	144	144	144	144	200	200	220	220	274
E (mm)	33.5	33.5	33.5	40	49	58.5	73	91.5	114.5	136	166
F (mm)	40	40	40	40	40	40	50	50	55	55	65
G (mm)	55	55	55	55	55	55	63	63	70	70	90